

## eXGD1160F32 (indoor)

### Features

The Model eXGD1160F32 series covers superb high transient surge protection and AC power noise filtering at the main service panel for most applications which computing process sensitive high tech equipments. It will be guarded from damage, errors and downtime resulting from high speed transients and noise interruption. The eXGD1160F32 series model achieve to protect extraordinarily high transient exposed AC power distribution line and Tracking noise filter circuit performs to clamp undesired pick noise exposed on AC sine wave. Models offer full mode protection and quick repair and replacement.

- ◆ **Surge Protection Module (Primary, Secondary)**
  - Main & Branch & Local Service Panel Protection for 1 phase.
  - Max surge protection capacity IP = 160kA/Phase (8/20μs).
  - High Performance surge Fuse: IP = 200kA Max (Dual Fusing).
  - All mode protection: L-N, L-G, N-G.
  - Fast clamp response: less than One nano-seconds.
  - Bipolar/Bidirectional protection to prevent additional damage.
  - LED alarm lamp for TVSS, Filter
- ◆ **AC Power Tracking Noise Filter Module**
  - 1 phase EMI/RFI AC power tracking filter.
  - Excellent Filtering for Normal Mode and Common Mode Noise.
  - Good reliability and high performance.
  - Outstanding noise absorption, particularly for high voltage impulse.
  - Low Leakage.
- ◆ **N-G Protection Module**
  - Max surge protection capacity IP = 40kA/Phase (8/20μs).
  - Front panel LED's for status indication and abnormal voltage detection
  - Powerful performance MOV: Using 40mm large size MOV.

### Technical Specification

- ◆ **Features for eXGD1160F32**
  - Enclosure: NEMA 1, 16 gauge steel.
  - Dimensions: 253mm (W) × 320mm(H) × 143mm(D)
  - Protection stage: MOV - LC filter - MOV
  - Bypass Switch: Circuit Breaker for TVSS (Option).
  - Connection: AC Serial Screw Terminal type (Input/Output)
- ◆ **Surge Protector Module (Primary, Secondary)**
  - Operating Voltage rate: Maximum Allowable 125% Rated Line Voltage
  - Response Time: < 1 Nanoseconds.
  - Surge Life/Phase (8/20μs): 6kA/10,000 Event.
  - Protection Present / reduced: Green: Normal Operation.
  - Operating Altitude: 13,000 ft. (4000m).
  - Abnormal Voltage Detection: Red LED Lamp (Between Neutral-Ground).
  - Enclosure: NEMA 1, 14gauge steel.
  - Power Cable: UL 1015 #10 AWG (High performance, Low inductance).
  - Noise Filter: EMI/RFI Filter included (UL1283).
  - Safety & performance: UL 1449 2nd Edition Spec. Meets.
  - Absorbability Surge Energy: 8200J
  - Aggregate Energy Absorption: 122J/cm<sup>3</sup>
  - Surge Event Counter included (Option) - LCD display (6 digit)
- ◆ **AC Power Tracking Noise Filter Module**
  - Maximum filter peak current: 32A (50/60Hz)
  - Rated voltage: Maximum 250V.
  - Noise Filtering for the harmonics noise caused by Generator and Motors.
  - Isolation Resistance: 500Vdc 300MΩ between line and earth.
  - Leakage Current: < 0.5 mA.
  - Filter Frequency: 300~ 3400 Hz

### Model Specification

The eXGD1160F32 Series of surge protectors meet or exceed ANSI/IEEE C62.41-1991 and UL1449 2<sup>nd</sup> Edition.

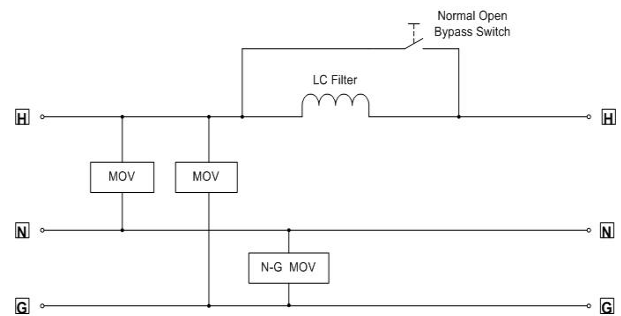
Model	Rated Voltage	Description	Suppression Voltage (8/20μs) 3kA
eXGD1160F32-120S	120 VAC	1P, 2W+Gnd	650 V
eXGD1160F32-220S	220 VAC	3P, 4W+Gnd,Wye	1000 V
eXGD1160F32-240S	240 VAC	1P, 2W+Gnd	1200 V

### Product Photography



(Product type can be able to change without notice)

### Block Diagram



### Installation Diagram

1 Phase, 2W+Gnd, Serial Type

